

# TRANS CODE

---

FREE SOFTWARE AS MODEL & CRITIQUE OF DIVERSITY BY TRANSGENDER  
HACKERS

BRIAN ROBERT CALLAHAN & LILLIAN LEMMER



# SCHEDULE

---

- Introductions (5 minutes)
- Origin stories (10 minutes)
- Hello Hypatia! (10 minutes)
- Challenges (5 minutes)
- Why not just join a mainstream feminist hackerspace? (5 minutes)
- Generative Justice and You and Us and Free Software (10 minutes)
- Discussion (30-40 minutes)

# SCHEDULE

---

- Introductions (5 minutes)
- Origin stories (10 minutes)
- Hello Hypatia! (10 minutes)
- Challenges (5 minutes)
- Why not just join a mainstream feminist hackerspace? (5 minutes)
- Generative Justice and You and Us and Free Software (10 minutes)
- Discussion (30-40 minutes)

# INTRODUCTIONS

---

- Lillian
  - Founder of Hypatia Software Organization
  - Engineer/Princess at LeadPages (Minneapolis, MN)
- Brian
  - Ph.D. student in the Department of Science and Technology Studies at Rensselaer Polytechnic Institute (Troy, NY)
  - (Ex-)OpenBSD developer
- Hypatia Software Organization

# INTRODUCTIONS

---

- Lillian
  - Founder of Hypatia Software Organization
  - Engineer/Princess at LeadPages (Minneapolis, MN)
- Brian
  - Ph.D. student in the Department of Science and Technology Studies at Rensselaer Polytechnic Institute (Troy, NY)
  - (Ex-)OpenBSD developer
- Hypatia Software Organization



# INTRODUCTIONS

---

- Lillian
  - Founder of Hypatia Software Organization
  - Engineer/Princess at LeadPages (Minneapolis, MN)
- Brian
  - Ph.D. student in the Department of Science and Technology Studies at Rensselaer Polytechnic Institute (Troy, NY)
  - (Ex-)OpenBSD developer
- Hypatia Software Organization

# SCHEDULE

---

- Introductions (5 minutes)
- Origin stories (10 minutes)
- Hello Hypatia! (10 minutes)
- Challenges (5 minutes)
- Why not just join a mainstream feminist hackerspace? (5 minutes)
- Generative Justice and You and Us and Free Software (10 minutes)
- Discussion (30-40 minutes)

# ORIGIN STORIES

---

- Lillian
- Brian



# ORIGIN STORIES

---

- Lillian
- Brian

# SCHEDULE

---

- Introductions (5 minutes)
- Origin stories (10 minutes)
- Hello Hypatia! (10 minutes)
- Challenges (5 minutes)
- Why not just join a mainstream feminist hackerspace? (5 minutes)
- Generative Justice and You and Us and Free Software (10 minutes)
- Discussion (30-40 minutes)

# HELLO HYPATIA!

---

- Community
- The model and framework of Hypatia
  - Who we are
  - What we do
  - How we do it
- Why does all this matter?
- Our relationship with Free Software at a glance
  - Economic/Gender Justice
- Google study

# SCHEDULE

---

- Introductions (5 minutes)
- Origin stories (10 minutes)
- Hello Hypatia! (10 minutes)
- Challenges (5 minutes)
- Why not just join a mainstream feminist hackerspace? (5 minutes)
- Generative Justice and You and Us and Free Software (10 minutes)
- Discussion (30-40 minutes)

# CHALLENGES

---

- Safe spaces
  - Intersectional safe spaces
- Leading by example



# SCHEDULE

---

- Introductions (5 minutes)
- Origin stories (10 minutes)
- Hello Hypatia! (10 minutes)
- Challenges (5 minutes)
- Why not just join a mainstream feminist hackerspace? (5 minutes)
- Generative Justice and You and Us and Free Software (10 minutes)
- Discussion (30-40 minutes)

# WHY NOT JUST JOIN A MAINSTREAM FEMINIST HACKERSPACE?

---

- Empathy vs. sympathy in representation
- Leasting of acceptance
- Focus on concerns that impact trans women directly



# SCHEDULE

---

- Introductions (5 minutes)
- Origin stories (10 minutes)
- Hello Hypatia! (10 minutes)
- Challenges (5 minutes)
- Why not just join a mainstream feminist hackerspace? (5 minutes)
- Generative Justice and You and Us and Free Software (10 minutes)
- Discussion (30-40 minutes)

# GENERATIVE JUSTICE AND YOU AND US AND FREE SOFTWARE

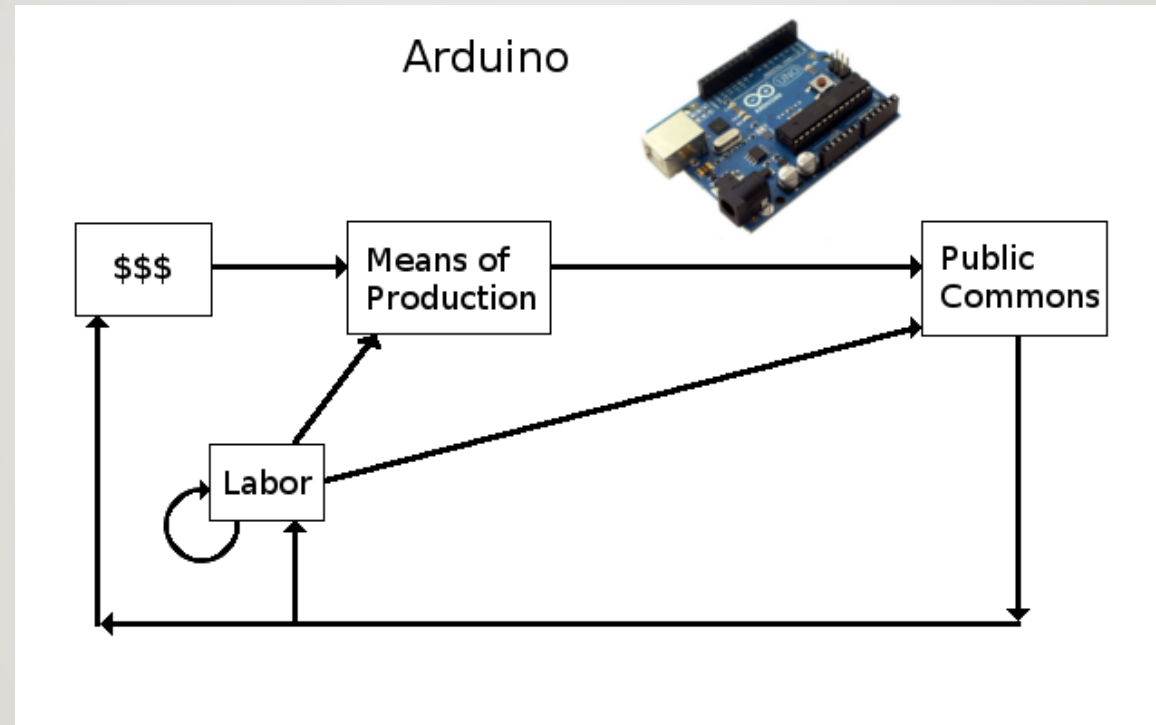
---

- **The universal right to generate unalienated value and directly participate in its benefits; the rights of value generators to create their own conditions of production; and the rights of communities of value generation to nurture self-sustaining paths for its circulation.**

(<http://generativejustice.wikispaces.com/>)

# GENERATIVE JUSTICE AND YOU AND US AND FREE SOFTWARE

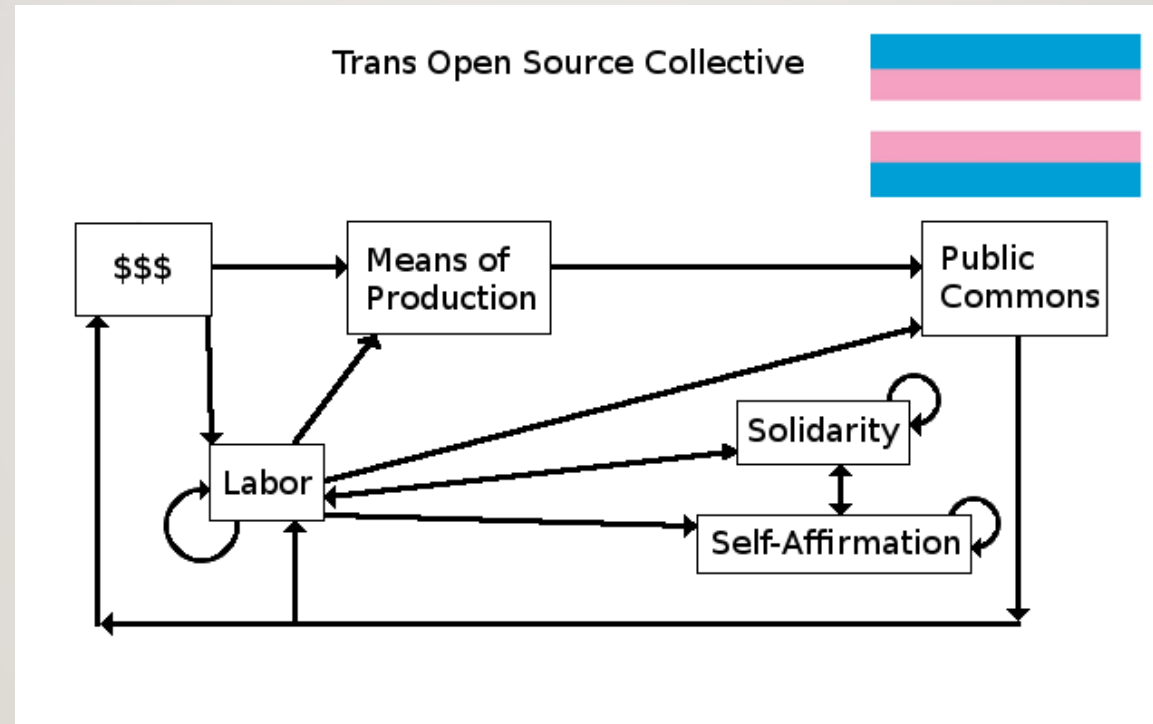
---





# GENERATIVE JUSTICE AND YOU AND US AND FREE SOFTWARE

---



# SCHEDULE

---

- Introductions (5 minutes)
- Origin stories (10 minutes)
- Hello Hypatia! (10 minutes)
- Challenges (5 minutes)
- Why not just join a mainstream feminist hackerspace? (5 minutes)
- Generative Justice and You and Us and Free Software (10 minutes)
- Discussion (30-40 minutes)

# DISCUSSION

---

- All the words and all the talk doesn't mean much if it doesn't result in action
- So talk to us!
- Let's get things done